

# TJV and TJH COMMERCIAL STORAGE TANKS

TJV 140 through 2500 + TJVT 500

TJH 250 through 2500 + TJHT 500

Factory jacketed and insulated storage tanks.



- Sizes from 140 to 2,500 gallons
- All stock tanks are glasslined with standard tank openings as shown on following pages.
- All tanks are constructed to the requirements of the ASME. ASME code tanks are available in 125 or 150 psi working pressures (125 psi working pressure - standard).
- Entire tank is insulated to meet ASHRAE 90.1 (current edition) depth of insulation cavity requires use of remote bulb-type tank temperature control and thermometer. Storage tanks meet R12.5 minimum thermal insulation requirements of the U.S. Department of Energy and current edition of ASHRAE/IESNA 90.1
- Cabinet. Heavy gauge steel with high quality paint.
- Each lining and coating has particular capabilities and limitations.
- Glasslined (Standard) - These are normally stocked tanks for water storage up to 180°F, with glass lining to prevent corrosion and addition of rust to water. The glass lining was developed over many years of ceramic research for a wide variety of conditions.
- Tanks are furnished with anodes designed for maximum protection.
- Options:
  - Manholes / Handholes
  - Cement and Epoxy Linings



## SAMPLE SPECIFICATION

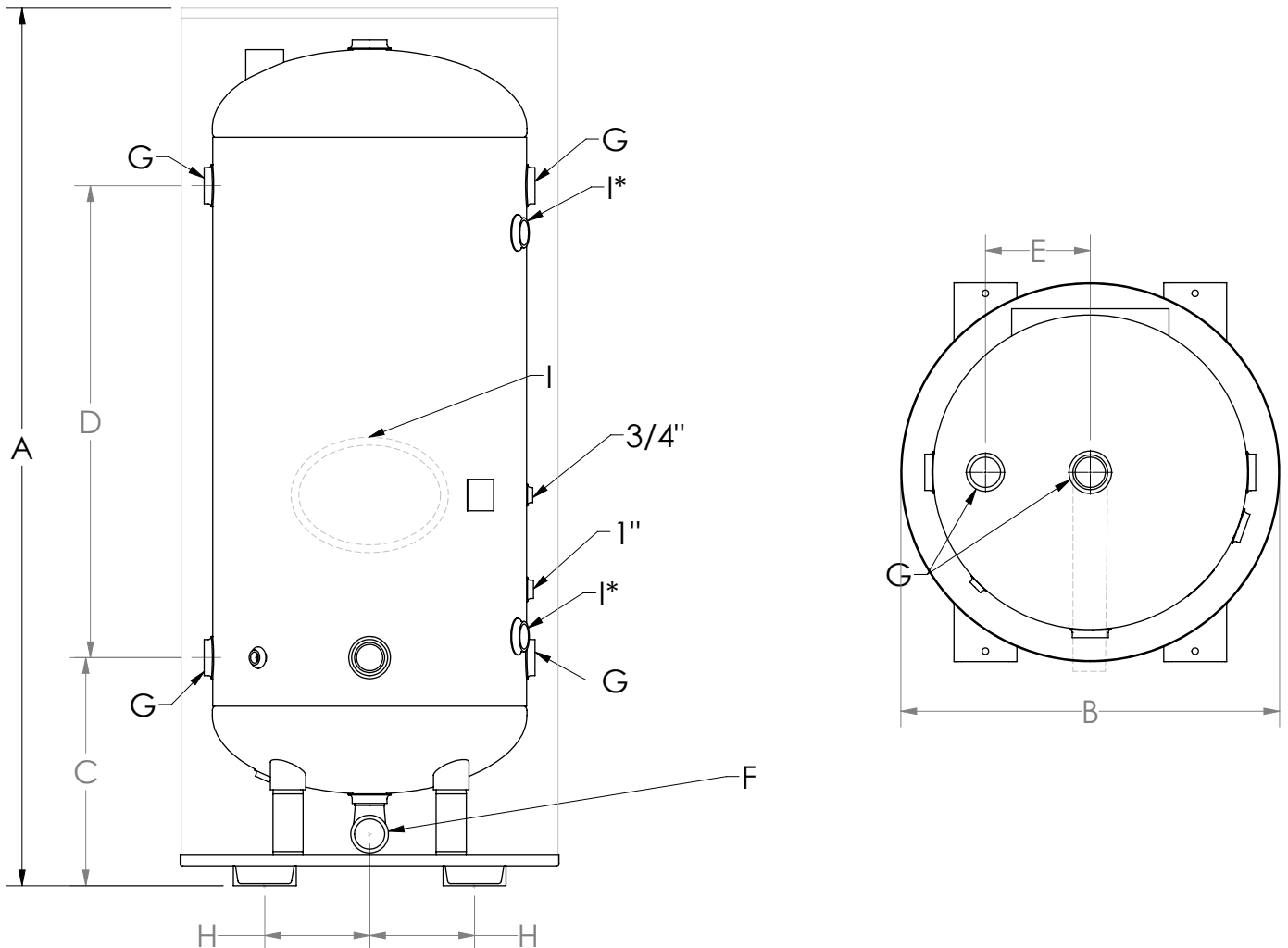
When jacketed or insulated these models meet R12.5 minimum thermal insulation requirements of the U.S. Department of Energy and current edition of ASHRAE/IESNA 90.1. ASME storage tank to be A. O. Smith Custom-Line model \_\_\_\_\_. Capacity to be \_\_\_\_\_ gallons with a diameter of \_\_\_\_\_ inches. Tank(s) shall be constructed and stamped according to ASME specification for \_\_\_\_\_ psi working pressure. Manhole (12 X 16), handhole (4x6) or inspection openings (2-2") shall be installed in accordance with ASME code requirements and manufacturer(s) standard practice. Tank to be constructed of (carbon steel) \_\_\_\_\_. Lining shall be (glass, epoxy, cement) \_\_\_\_\_. Tank(s) lined with (glass, cement, epoxy) \_\_\_\_\_ lining shall be equipped with the number and size of magnesium anode rod(s) sufficient to provide adequate protection for the tank lining. Tank shall be (vertical, horizontal) \_\_\_\_\_ design and provided with \_\_\_\_\_ ring base, (or \_\_\_\_\_ Saddles.)

TJV-140 THRU TJV-400

Model number	A	B	C	D	E	F	G	H	"1" ASME Inspection Openings
TJV-140A	87	30	21 1/2	51	8	1-1/2	2-1/2	6-3/8	2"
TJV-200A	83	36	22	45	10	1-1/2	2-1/2	7-3/4	2"
TJV-250A	96	36	22	58	10	1-1/2	2-1/2	7-3/4	2"
TJV-350A	97	42	24 1/2	54	14	1-1/2	2-1/2	9-1/2	2"
TJV-400A	105	42	24 1/2	61	14	1-1/2	2-1/2	9-1/2	2"

NOTE:

These connections are not for piping connections. They are the anode locations and also serve as the required ASME 2" inspection openings.



NOTE:

Inspection openings i.e., 4"x 6" handholes and 12"x 16" manholes, are optional on diameters 36" and below and are to be included with glasslined tanks only when specified.

- Other tanks to 72" diameter and 3500 gallon are available on special order.
- All openings Female Pipe Thread except as noted.
- "F" opening Male Pipe Thread.

### TJV-500 THRU TJV-2500 + TJVT-500A

Model number	A	B	C	D	Gallons
TJVT-500A	91	46	25.75	2"	500
TJV-500A	77	52	29.75	2"	500
TJV-600A	88	52	29.75	2"	600
TJV-700A	97	52	29.75	2"	700
TJV-750A	100	52	29.75	2"	750
TJV-1000A	124	52	29.75	2"	1000

Model number	A	B	C	D	Gallons
TJV-1250A	133	60	31.25	3"	1250
TJV-1500A	129	66	32.75	3"	1500
TJV-1750A	153	66	32.75	3"	1750
TJV-2000A	126	78	35.25	3"	2000
TJV-2500A	146.5	78	35.25	3"	2500

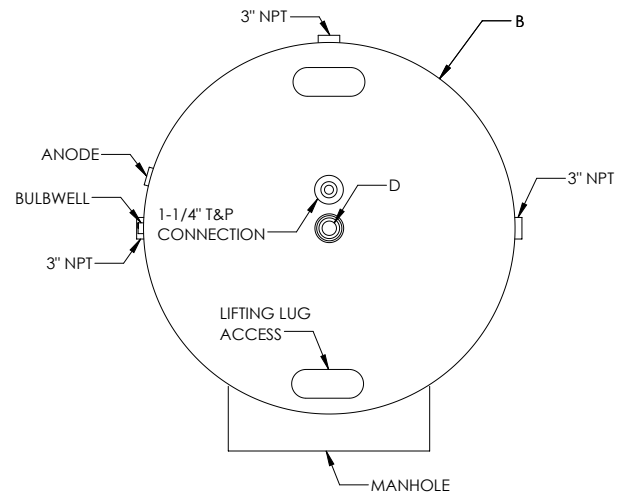
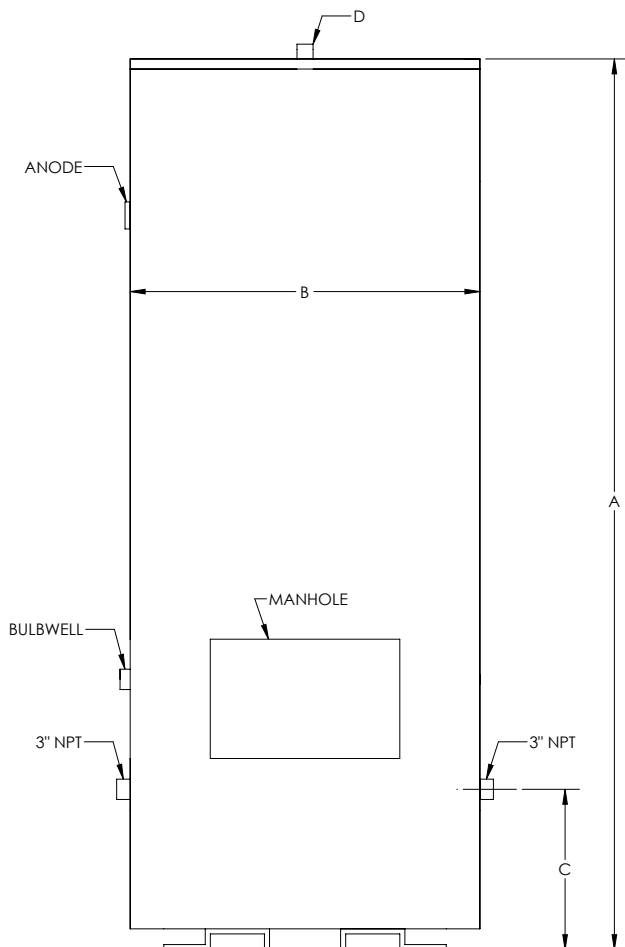
**NOTE:**

Inspection openings, i.e., handholes and manholes, are optional and are to be included with glasslined tanks only when specified.

- All openings Female Pipe Thread except as noted.

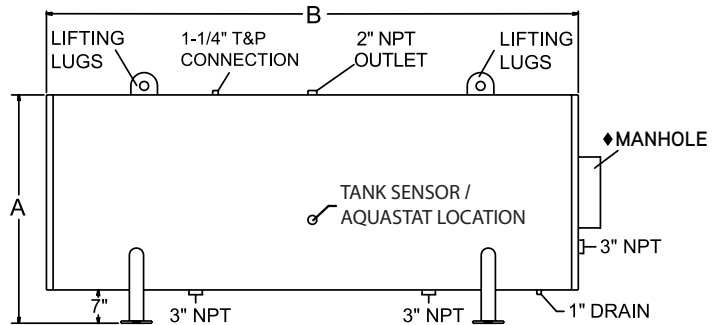
**OPTIONAL**

- 4"x6" handhole or 12"x 16" manhole on vessels 36" in diameter or less.
- Additional openings

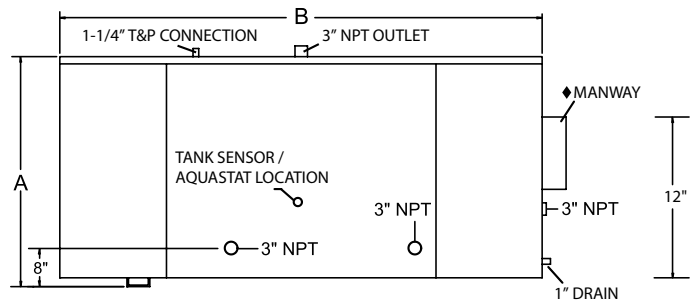


TJH-250 THRU TJH-2500 + TJHT-500A

Model number	A	B	Diameters	Gallons
TJH-250A	41	87	34	250
TJH-300A	47	76	40	300
TJH-400A	53	76	46	400
TJHT-500A	53	87	46	500
TJH-500A	59	77	52	500
TJH-600A	59	88	52	600
TJH-700A	59	97	52	700
TJH-750A	59	100	52	750
TJH-1000A	59	124	52	1000



Model number	A	B	Depth	Gallons
TJH-1250A	68.5	134	60.25	1250
TJH-1500A	74.5	127	66.25	1500
TJH-2000A	86.5	127	78.25	2000
TJH-2500A	86.5	144	78.25	2500



LIMITED WARRANTY OUTLINES

GLASSLINED, CEMENT, EPOXY: If the tank should leak anytime during the first five years, under the terms of the warranty, A.O. Smith will repair or replace the tank; installation, labor and handling extra.

NOTE: THIS OUTLINE IS NOT A WARRANTY. For complete information, consult the written warranty or A. O. Smith.