

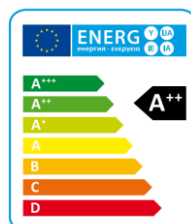
Enevator Air

Standard

High Efficiency Air/Water Heat Pump

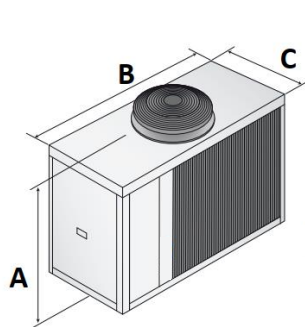


- Compact devices, pre-filled refrigerant circuits for easy and quick installations
- Outdoor installation only
- Low noise
- R410 refrigerant, R134a versions on request.
- Available in several configurations
- Output ranges from 22,2 – 463,7 ⁽¹⁾
- Very large capacities
- COP up to 4,6
- Applicable for space heating, cooling, DHW pre-heating
- Cascade up to 6 devices using ModBus
- Staged operation
- Can be used for outdoor temperatures between -20 and + 43°C.
- Hot water temperature outlet 60°C

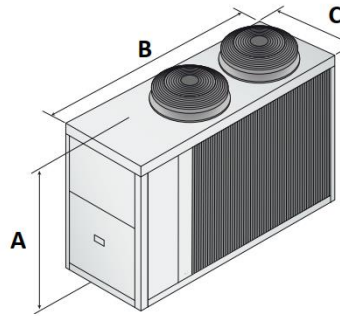


(1) Heating: outlet temperature 30/35°C, ambient temperature 7°C

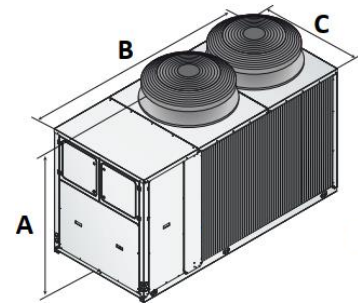
Dimensions



AWHS 22-30

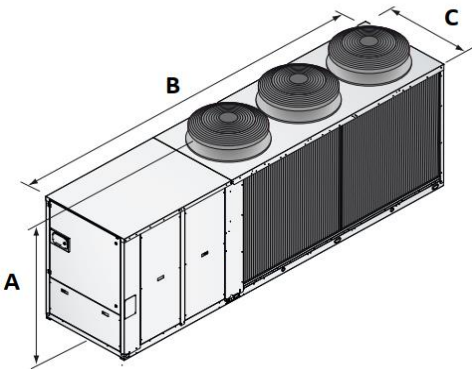


AWHS 40-45-50

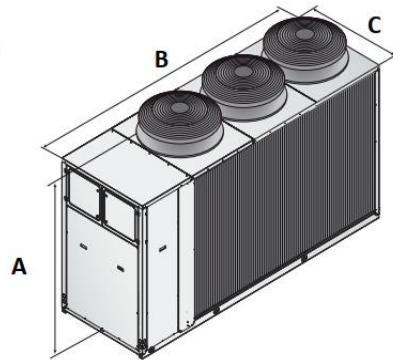


AWHS 60-70-75-90-105-115

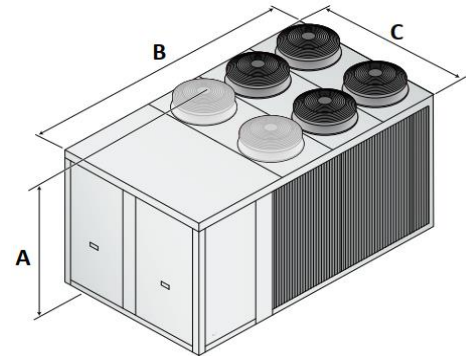
			AWHS 22	AWHS 30	AWHS 40	AWHS 45	AWHS 50	AWHS 60	AWHS 70	AWHS 75	AWHS 90	AWHS 105	AWHS 115
A	Height	mm	1500	1500	1690	1690	1820	1880	1880	1880	1880	1880	1880
B	Width	mm	1915	1915	2400	2400	2905	2905	2905	2905	2905	2905	2905
C	Depth	mm	875	875	1150	1150	1150	1150	1150	1150	1150	1150	1150
	Weight	kg	1000	1000	670	690	720	1060	1060	1070	1120	1160	1240



AWHS 140-150-170-180



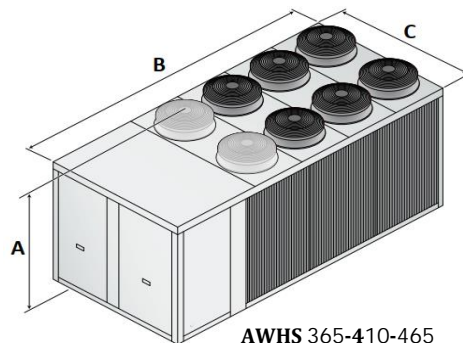
AWHS 210-240



AWHS 230-270-300-340

			AWHS 140	AWHS 150	AWHS 170	AWHS 180	AWHS 210	AWHS 240	AWHS 230	AWHS 270	AWHS 300	AWHS 340
A	Height	mm	1880	1880	1880	1880	2270	2270	2350	2350	2350	2350
B	Width	mm	3905	3905	3905	3905	3905	3905	4205	4205	4205	4205
C	Depth	mm	1150	1150	1150	1150	1150	1150	2210	2210	2210	2210
	Weight	kg	1560	1580	1600	1620	1790	1820	3170	3220	3270	3320

			AWHS 365	AWHS 410	AWHS 465
A	Height	mm	2380	2380	2380
B	Width	mm	4805	5250	5250
C	Depth	mm	2210	2210	2210
	Weight	kg	3660	3720	3780



AWHS 365-410-465